



Accessories Stainless Steel 50lt Mobile Bid with Lid

ITEM # _____

MODEL # _____

NAME # _____

SIS # _____

AIA # _____



132926 (NCVR50)

Stainless steel 50-lt Mobile Bin with lid

Short Form Specification

Item No. _____

Manufactured in 304 AISI stainless steel. Fitted with 2 handles. Removable lid with handle.

Main Features

- Sturdiness, stability and reliability of table accurately tested.
- Removable lid with two handles to facilitate the operations.

Construction

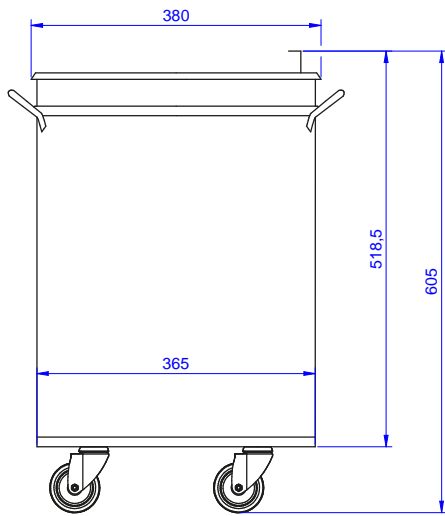
- Constructed entirely in 304 AISI stainless steel.
- Developed and produced in ISO 9001 and ISO 14001 certified factory.

APPROVAL: _____

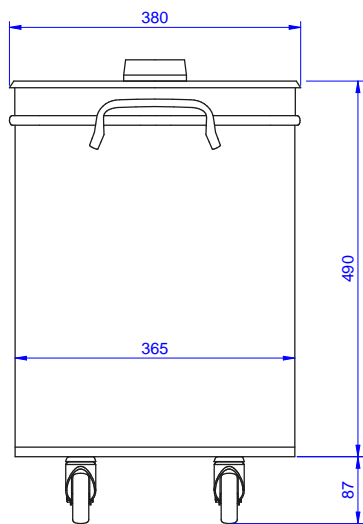


Experience the Excellence
www.electroluxprofessional.com

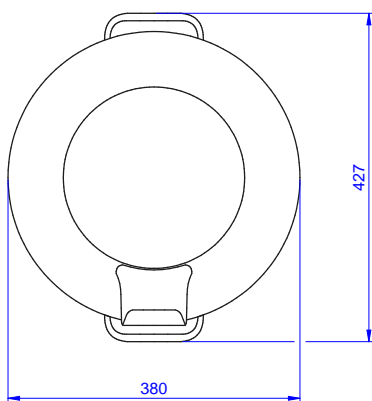
Front



Side



Top





Key Information:

External dimensions,
Width:

132926 (NCVR50) 380 mm

External dimensions,
Depth:

427 mm

External dimensions,
Height:

605 mm

